

# MNK-N-ST

## Multi-jet wet dial meters for cold water in a standpipe design

The MNK-N-ST water meter is designed for standpipe installation and guarantees an uncomplicated calibration replacement. The register of the ST variants also works in horizontal position.

The current state of development guarantees the most precise measurement results, minimal bearing load and a long service life.

The meter is equipped with a reed switch interface as standard.

The interface enables remote reading of the meter data via PDC radio module with LoRaWAN® or wM-Bus.



### Performance characteristics at a glance

- Multi-jet wet dial meter
- Water meter for standpipe installation
- Register cap made of UV-resistant plastic
- Brass body according to Federal Environment Office (UBA) list
- Operating pressure MAP 16
- Approved in accordance with MID

### Applications

- For the consumption measurement of cold and clean drinking water or service water up to 50 °C

### AMR options

- Serially equipped with communication interface for PDC-module (PulseDataCapture):
  - PDC-wireless M-Bus radio module (868 MHz)
  - PDC-LPWAN-Radio module for LoRaWAN®
- Retrofittable with pulser
  - Standard resolution 10 l/pulse

# MNK-N-ST

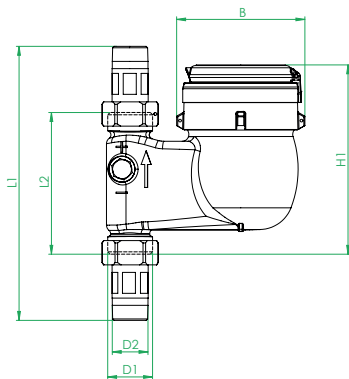
Technical data							
Permanent Flowrate	$Q_3$	$m^3/h$	2.5	4	10	16	16
Attainable measuring range	$Q_3/Q_1$	R	200H	200H	200H	200H	200H
Standard measuring range <sup>1</sup>	$Q_3/Q_1$	R	80H	80H	80H	80H	80H
Overload Flowrate <sup>2</sup>	$Q_4$	$m^3/h$	3.13	5	12.5	20	20
Transitional flowrate <sup>2</sup>	$Q_2$	l/h	50	80	200	320	320
Minimum flowrate <sup>2</sup>	$Q_1$	l/h	31	50	125	200	200
Start-up flow rate	-	l/h	<4	<5	<10	<20	<20
Display range	min.	l	0.1	0.1	0.1	0.1	0.1
	max.	$m^3$	99999	99999	99999	99999	99999
Temperature range	-	$^{\circ}C$	0.1 - 50	0.1 - 50	0.1 - 50	0.1 - 50	0.1 - 50
Operating pressure. max.	MAP	bar	0.3 - 16	0.3 - 16	0.3 - 16	0.3 - 16	0.3 - 16
Pulse value		l/pulse	10	10	10	10	10
Pressure loss	$\Delta p$	-	$\Delta 0.63$	$\Delta 0.63$	$\Delta 0.63$	$\Delta 0.63$	$\Delta 0.63$
Mechanical environmental condition	-	-	M2	M2	M2	M2	M2
Climatic condition <sup>3</sup>	-	$^{\circ}C$	5 - 55	5 - 55	5 - 55	5 - 55	5 - 55
Flow profile sensitivity	-	-	U0/D0	U0/D0	U0/D0	U0/D0	U0/D0

Dimensions and weights:							
Nominal diameter	DN	mm	20	20	25	40	40
		inch	3/4"	3/4"	1"	1 1/2"	1 1/2"
Overall length without connectors <sup>1</sup>	L2	mm	105	105	150	150	200
Overall length with connectors approx.	L1	mm	201	201	268	278	328
Thread meter G x B	D1	inch	1"	1"	1 1/4"	2"	2"
Thread connector R x	D2	inch	3/4"	3/4"	1"	1 1/2"	1 1/2"
Width approx.	B	mm	95	95	95	110	110
Height approx.	H1	mm	140	140	160	165	165
Weight approx.	-	kg	1.7	1.7	2.6	4.1	4.3

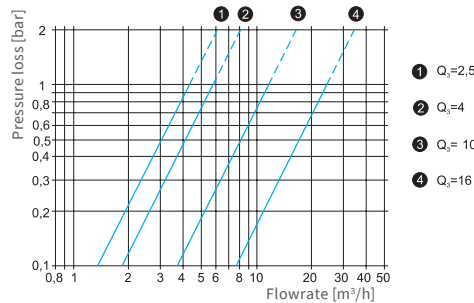
<sup>1</sup> Other measuring ranges (R) and overall lengths on request

<sup>2</sup> The data refer to the standard measuring range

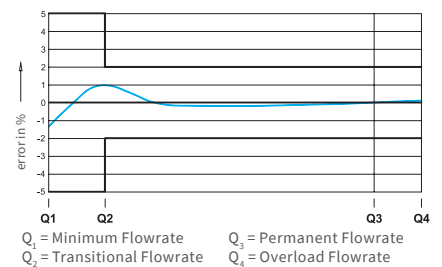
<sup>3</sup> Condensation possible



Dimensions



Typical pressure loss curve



Typical error curve

## ZENNER International GmbH & Co. KG

Römerstadt 6 | 66121 Saarbrücken | Germany

Phone +49 681 99 676-30  
 Fax +49 681 99 676-3100

e-mail info@zenner.com  
 internet www.zenner.com